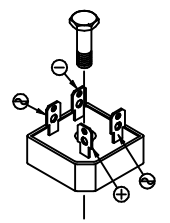
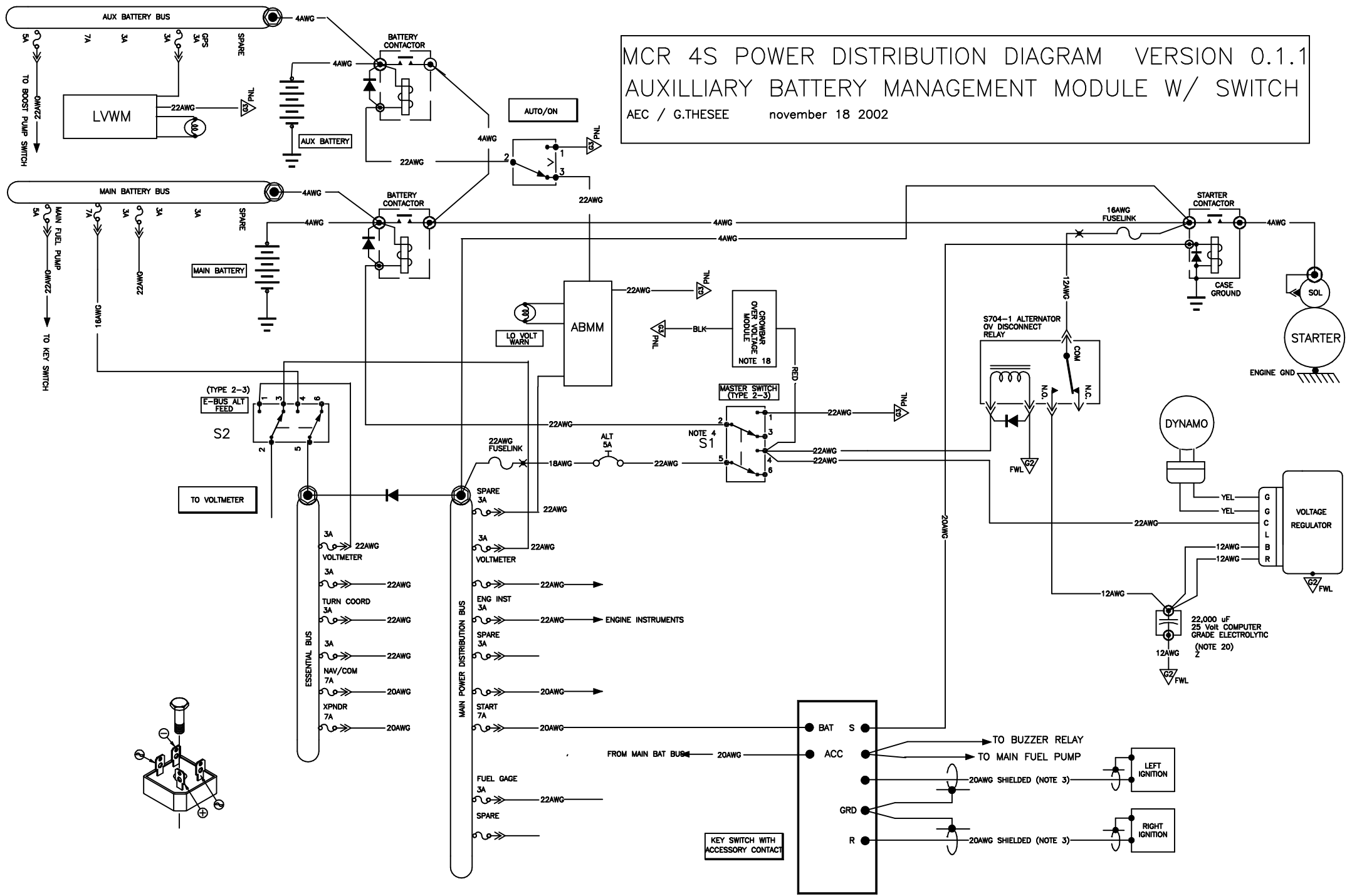


MCR 4S POWER DISTRIBUTION DIAGRAM VERSION 0.1.1
 AUXILLIARY BATTERY MANAGEMENT MODULE W/ SWITCH
 AEC / G.THESEE november 18 2002



KEY SWITCH WITH ACCESSORY CONTACT

22,000 uF
 25 VOLT COMPUTER
 GRADE ELECTROLYTIC
 (NOTE 20)

